

invoice / delivery address

Kom.:

Order

Offer

Rehab Car Seat **KIDSFLEX**



Exportprices

Release: 2023

BASIC

	size 1	size 2	size 2XL
altura total	74 cm	80 cm	90 cm
crown height	67 cm	73 cm	82 cm
back height NEW!	37 - 51 cm	41 - 57 cm	47 - 65 cm
seat width	31 cm	35 cm	40 cm
seat depth (adjustable)	28 - 33 cm	34 - 39 cm	40 - 46 cm
lateral support height (small)	26 - 36 cm	26 - 36 cm	34 - 44 cm
lateral support height (large)	30 - 40 cm	30 - 40 cm	38 - 48 cm
distance of lateral supports	16 - 28 cm	19 - 32 cm	24 - 37 cm
weight	8,2 kg	8,9 kg	12,3 kg
capacity	22 kg	36 kg	75 kg

common information (standard):

- seat depth adjustable
- headrest included (longer backrest)
- upholstery & cover
- backrest angle adjustable
- 5-point-harness with upholstery
- frame to fix a footrest, clamp bow or ISOFIX
- Crash tested according to ECE 44, ECE R16, ECE R14
- TÜV Product Service EN 12182 and DIN EN 1021



size 1
Black/Red
(300000-E1)

size 1
Black/Blue
(300000-E2)

£1.675,00



size 2
Black/Red
(310000-E1)

size 2
Black/Blue
(310000-E2)

£1.785,00



size 2XL
Black/Grey
(310000-E-XL)

£2.150,00

Individual Dimensions - proceed to page 3 (310000-E-SB)



Technische Änderungen und Druckfehler vorbehalten.




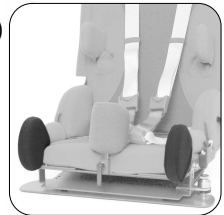
belt guide*:



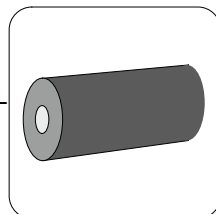
- LEFT
- RIGHT




*please choose ONE of them

wider hip cushions (SW -4 cm)
(300850-E)
£80

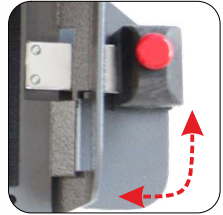


fittings for the different needs

<input type="checkbox"/> head support, soft (300050-E) £190 	<input type="checkbox"/> head support „Kick-Back“ with aluminum frame (300025-E) £325 	<input type="checkbox"/> head fixation (300630-E), £265 NEW! 	leg support <input type="checkbox"/> left (300350-E) £145 <input type="checkbox"/> right (300355-E) £145 
---	---	--	---

abduction block, removable <input type="checkbox"/> size 1 (300400-E) £255 <input type="checkbox"/> size 2 (310400-E) £265 <input type="checkbox"/> size 2XL (310400-E-XL) £290 	foot rest, height and angle adjustable <input type="checkbox"/> size 1 (300450-E) £295 <input type="checkbox"/> size 2 und 2XL (310450-E) £305 <input type="checkbox"/> swing up (300452-E) £160 	foot roll, height and angle adjustable <input type="checkbox"/> size 1 (300455-E) £295 <input type="checkbox"/> size 2 und 2XL (310455-E) £305 
--	--	---


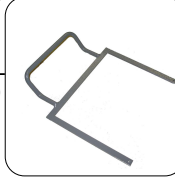
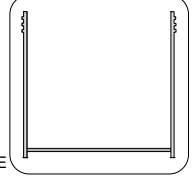

trunk supports, small (height: 11 cm, depth: 14 cm) <input type="checkbox"/> fix (300500-E) £295 <input type="checkbox"/> swing away (300505-E) £515 	trunk supports, large (height: 21 cm, depth: 16 cm) <input type="checkbox"/> fix (300510-E) £355 <input type="checkbox"/> swing away (300515-E) £565 	shoulder supports <input type="checkbox"/> (300700-E) £355 
---	--	---

fittings frame

swivel base <input type="checkbox"/> size 1, 2, 2XL (300200-E) £395 <input type="radio"/> RIGHT <input type="radio"/> LEFT 	angular adjustment (0° - 10°) <input type="checkbox"/> size 1 (300100-E) £195 <input type="checkbox"/> size 2 (310100-E) £200 <input type="checkbox"/> size 2XL (310100-E-XL) £255 	extra angular adjustment (10° - 20°) <input type="checkbox"/> Gr. 1 (300105-E) £260 <input type="checkbox"/> Gr. 2 (310105-E) £275 <input type="checkbox"/> Gr. 2XL (310105-E-XL) £310 
---	--	---


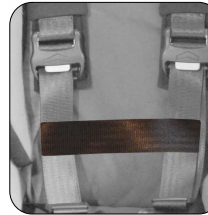
fastener (independent of the direction of rotation) <input type="radio"/> inside (standard) <input type="radio"/> outside (300220-E)	<input type="checkbox"/> Sandwich-Base (mounted under the base board) (300790-E), £355 NEW! Useful in the following situations: - with very sporty shaped car seats, in order to compensate for the recess there. This results in a more stable position and more freedom of movement when using the swivel adapter. - with car Isofix brackets that are very far inside to allow nevertheless contact with the car's backrest and the IPAI-NXT (the ISOFIX adapter sits in the sandwich base) - approx. 1.5 kg additional weight
--	---

fittings for car installation

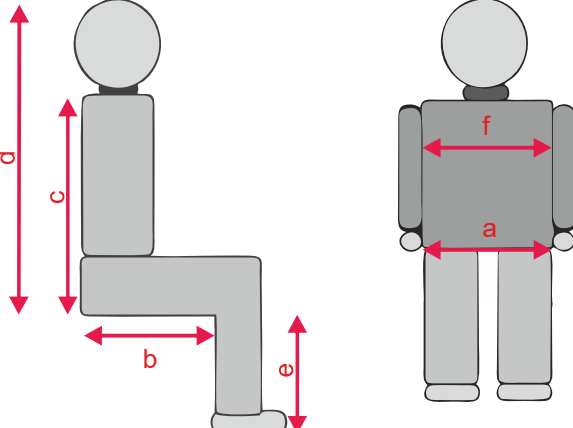
<p>ISOFIX adapter</p> <p><input type="checkbox"/> size 1 (300575-E) £340</p> <p><input type="checkbox"/> size 2 +2XL (310575-E) £340</p> 	<p>clamp bow (when there's no ISOFIX)</p> <p><input type="checkbox"/> size 1 (300550-E) £170</p> <p><input type="checkbox"/> size 2 +2XL (310550-E) £170</p> 	<p>outrigger*</p> <p><input type="checkbox"/> (310453-E), £170</p>  <p><small>*300450-E or 310450-E necessary!</small></p>	<p>additional belt guide (on the other side)</p> <p><input type="checkbox"/> (300075-E) £135</p> 
---	---	--	--

fittings security

<p>security tray</p> <p><input type="checkbox"/> size 1 (300600-E) £450</p> <p><input type="checkbox"/> size 2 (310600-E) £465</p> <p><input type="checkbox"/> size 2XL (310600-E-XL) £490</p> 	<p>security pad for the buckle with snap fastener</p> <p><input type="checkbox"/> size 1, 2, 2XL (300650-E) £155</p> <p>The buckle gets invisible for the child thanks to an additional pocket!</p> 	<p>NEW!</p> <p>security pad for the buckle with magnetic lock</p> <p><input type="checkbox"/> size 1, 2, 2XL (300655-E) £195</p> 
---	---	--

<p>protection mat (to protect the original seats of the car)</p> <p><input type="checkbox"/> (300780-E) £80</p> 	<p>individual colors for the cushions (300800-E), £290</p> <p>[one X means single-colored, two X means bicolored]</p> <table border="0"> <tr> <td></td> <td>inside</td> <td>outside</td> </tr> <tr> <td><input type="checkbox"/> red</td> <td><input type="checkbox"/></td> <td><input type="checkbox"/></td> </tr> <tr> <td><input type="checkbox"/> blue</td> <td><input type="checkbox"/></td> <td><input type="checkbox"/></td> </tr> <tr> <td><input type="checkbox"/> black</td> <td><input type="checkbox"/></td> <td><input type="checkbox"/></td> </tr> <tr> <td><input type="checkbox"/> grey</td> <td><input type="checkbox"/></td> <td><input type="checkbox"/></td> </tr> </table>		inside	outside	<input type="checkbox"/> red	<input type="checkbox"/>	<input type="checkbox"/>	<input type="checkbox"/> blue	<input type="checkbox"/>	<input type="checkbox"/>	<input type="checkbox"/> black	<input type="checkbox"/>	<input type="checkbox"/>	<input type="checkbox"/> grey	<input type="checkbox"/>	<input type="checkbox"/>	<p>belt to connect the chest straps (to improve the position of the belt in front of the breast)</p> <p><input type="checkbox"/> (300640-E) £115</p> 
	inside	outside															
<input type="checkbox"/> red	<input type="checkbox"/>	<input type="checkbox"/>															
<input type="checkbox"/> blue	<input type="checkbox"/>	<input type="checkbox"/>															
<input type="checkbox"/> black	<input type="checkbox"/>	<input type="checkbox"/>															
<input type="checkbox"/> grey	<input type="checkbox"/>	<input type="checkbox"/>															

individuality

<p><input type="checkbox"/> Individual Dimensions (310000-E-SB), [£2.150,00 + Expense allowance]</p> <p>The expense allowance is always calculated individually depending on the desired measurements Therefore ALWAYS request a quotation. (max. load: 75 kg; cover colour: grey-black)</p> 	<p><input type="checkbox"/> Patient dimensions:</p> <p>a (seat width): _____</p> <p>b (seat depth): _____</p> <p>c (back height): _____</p> <p>d (crown height): _____</p> <p>e (lower leg length): _____</p> <p>f (thorax width): _____</p> <p><input type="checkbox"/> Frame dimensions:</p> <p>a (seat width): _____</p> <p>b (seat depth): _____</p> <p>c (back height): _____</p> <p>d (crown height): _____</p>	<p><input type="checkbox"/> fabric, per running metre (300000-X), £60</p> <p><input type="checkbox"/> red (-B) _____ m</p> <p><input type="checkbox"/> blue (-D) _____ m</p> <p><input type="checkbox"/> black (-C) _____ m</p> <p><input type="checkbox"/> grey (-E) _____ m</p> <p><input type="checkbox"/> without cover (300000-OP),</p> <p><input type="checkbox"/> integration of a seat shell (300940-E)</p> <p><input type="checkbox"/> cover for a seat shell (300810-E)</p>
--	---	--